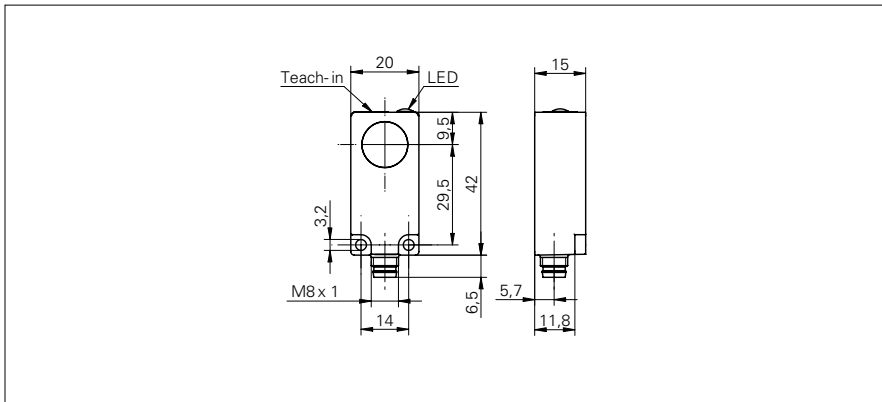


Ultrasonic distance measuring sensors

UNDK 20I6903/S35A

dimension drawing



general data

| | |
|--------------------------------|--------------------------------|
| scanning range sd | 100 ... 1000 mm |
| scanning range close limit Sdc | 100 ... 1000 mm |
| scanning range far limit Sde | 100 ... 1000 mm |
| repeat accuracy | < 0,5 mm |
| resolution | < 0,3 mm |
| response time ton | < 80 ms |
| release time toff | < 80 ms |
| temperature drift | < 2 % of distance to target So |
| sonic frequency | 240 kHz |
| adjustment | Teach-in |
| alignment aid | target indication flashing |
| light indicator | yellow LED / red LED |

electrical data

| | |
|------------------------------------|---------------------------|
| voltage supply range +Vs | 15 ... 30 VDC |
| current consumption max. (no load) | 55 mA |
| output circuit | current output |
| output signal | 4 ... 20 mA / 20 ... 4 mA |
| output current | < 20 mA |
| load resistance +Vs max. | < 1100 Ohm |
| load resistance +Vs min. | < 400 Ohm |
| residual ripple | < 10 % Vs |
| short circuit protection | yes |
| reverse polarity protection | yes |

mechanical data

| | |
|------------------|--------------|
| type | rectangular |
| housing material | polyester |
| width / diameter | 20 mm |
| height / length | 42 mm |
| depth | 15 mm |
| connection types | connector M8 |

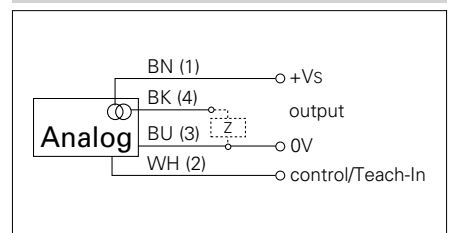
ambient conditions

| | |
|-----------------------|----------------|
| operating temperature | -10 ... +60 °C |
| protection class | IP 67 |

photo



connection diagram



- internal and external Teach-in
- compact housing